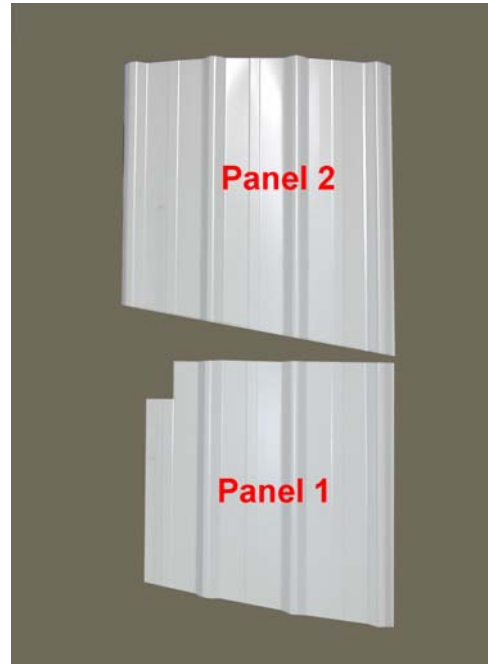
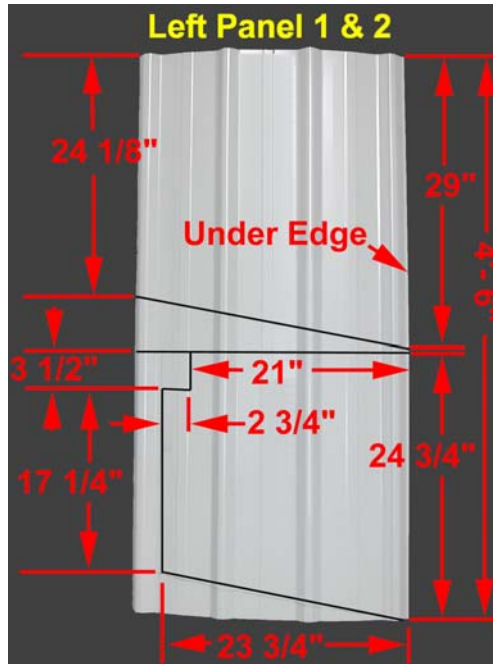


Installing Panel 1 And 2 On Tailhouse

It's time to cut and install the last side panels on the tailhouse. Cut panel 1 and 2 from one piece of sheeting using the dimensions shown. Install panel 2 first, making sure to slide the underside edge under the tailhouse/winghouse corner sheeting. Next install panel 1 and slide it's underside edge under panel 2. **Do not** screw the bottom edge of these panels at this time because later the lip of the winghouse roofing will be slid between the side panels and the tailhouse frame. The leading edge of panel 1 will later be bent around the leading edge of the wing truss.



Cut and install panels 1 and 2 for the right side of the tailhouse.

